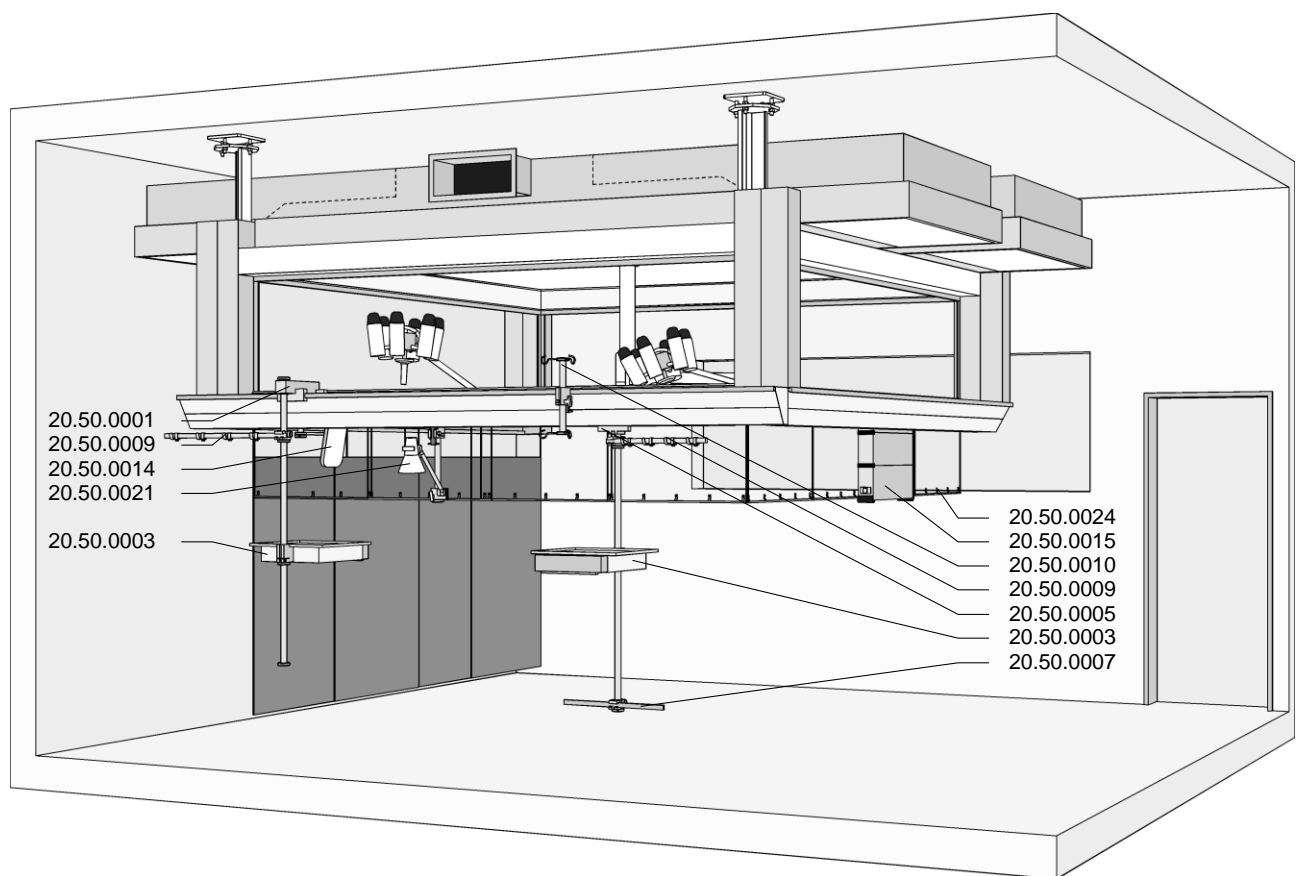


ADMECO-Med

Energy Supply Bridges Accessories



Subject to modification

Energy Supply Bridges Accessories



Article-No. 20.50.0001

Adjustable bridge with ball-bearing runners, precision carrying arm, hard chrome plated, Ø 32 mm (length up to 1.60 m as required), designed to be fitted on an ADEMCO energy supply bridge. Carrying arm max. load: 80 kg. Heavier loads possible on demand.



Article-No. 20.50.0004

Sliding carrier with ball-bearing runners, precision carrying arm, hard chrome plated, Ø 32 mm (length up to 1.60 m as required), designed to be fitted on an ADEMCO energy supply bridge. Carrying arm max. load: 80 kg. Heavier loads possible on demand.



Article-No. 20.50.0005

Short sliding carrier with ball-bearing runners, precision carrying arm, hard chrome plated, Ø 32 mm (length up to 1.60 m as required), designed to be fitted on an ADEMCO energy supply bridge with four sliding rails. Carrying arm max. load: 80 kg.



Article-No. 20.50.0006

Fixed holder with hard chrome plated precision carrying arm, Ø 32 mm (length up to 1.60 m as required), designed to be mounted rigidly on an ADEMCO energy supply bridge. Carrying arm max. load: 80 kg. Heavier loads possible on demand.

Energy Supply Bridges Accessories



Article-No. 20.50.0002

Load carrying tray 500x450 mm, white enamel with slide fitting, ready for mounting on precision carrying arm Ø32mm. Adjustable for height and turn. Fitting for drawer. Max. load: 30kg (Without precision carrying arm Ø32mm).



Article-No. 20.50.0003

As Article Nr. 20.50.0002 but complete with drawer in plastic. Measuring inside 380 x 380 x 75 mm (Without precision carrying arm Ø 32 mm).



Article-No. 20.50.0007

Rust-proof rail with 25/10 profile, 600 mm long with slide fitting, ready for mounting on precision carrying arm Ø 32 mm. Adjustable for height and turn. For secretion bottles, etc. (Without precision carrying arm Ø 32 mm).



Article-No. 20.50.0008

Pump holder, aluminum profile, 32x25 mm fitted between 2 height-adjustable guide rails Ø 25 mm (guide rails 800 mm long) with slide fitting. Designed for fitting on precision carrying arm Ø 32 mm. Adjustable for height and turn. For infusion pumps. Carries load of 2 x 10 kg. (Without precision carrying arm Ø 32 mm).

Energy Supply Bridges Accessories



Article-No. 20.50.0009

Lightweight rust-proof cable lead holder. 25/10 profile, L=800 mm incl. 4 universal hooks, adjustable for height and turn with slide fitting. Designed for fitting on precision carrying arm \varnothing 32 mm, to hold and lead cables and feed tubes. Max. load of 5 kg. (Without precision carrying arm \varnothing 32 mm).



Article-No. 20.50.0010

Infusion bottle holder Type 2 incl. 2 hooks with quick-change holder fitting for profile rails 25/10 or 35/8. Height adjustable. Allows easy and quick placing of infusion bags, etc. Max. load 10 kg.



Article-No. 20.50.0011

Infusion bottle holder Type 2/2 incl. 2 x 2 hooks with quick-change holder fitting for profile rails 25/10 or 35/8. Height adjustable. Allows easy and quick placing of infusion bags, etc. Max. load 10 kg.



Article-No. 20.50.0012

Adjustable holder with cable pull and 2 hard-chrome plated hooks with quick-change fitting for profile rails 25/10 or 35/8. Height adjustable up to L= 1000 mm. Quickly and easily attached. Particularly useful for 2-5 litre fluid bags. Max. load 2 x 5 kg.

Energy Supply Bridges Accessories



Article-No. 20.50.0015

Sliding X-ray viewer with light field of approx. 710x420 mm, for profile rails 25/10 with cable and plug (230V). Light source by cold cathode fluorescent lamp (CCFL) 2x36W.



Article-No. 20.50.0016

Single rust-proof hook with stainless steel for profile rails 25/10. Designed for leading cables or tubes.



Article-No. 20.50.0017

Double rust-proof hook with stainless steel for profile rails 25/10. Designed to hold infusions bags or tubes.



Article-No. 20.50.0018

Tube or cable holder with stainless steel stirrup for profile rails 25/10, projecting approx. 110-125 mm. Designed for large-diameter tubes.



Article-No. 20.50.0032

Hook short, with stainless steel for profile rails 25/10. Designed to hold infusions bags or other accessories.

Energy Supply Bridges Accessories



Article-No. 20.50.0019

Quick-change holder with adjustable tube \varnothing 32mm, L= 400 mm for profile rails 25/10 or 35/8. Max. load 10 kg.



Article-No. 20.50.0020

Quick-change holder with adjustable tube \varnothing 25 mm, L=1000 mm for profile rails 25/10 or 35/8. Designed for infusion pumps, etc. Max. load 10 kg.



Article-No. 20.50.0021

Halogen lamp 230/12V, 50W, 48'000 Lux / 0.5 m, with swan-neck, fitting for profile rails 25/10 or 35/8. Complete with cable, plug and transformer.



Article-No. 20.50.0029

Screen holder, with flat panel monitor owner (attaches to LCD's that are VESA[®] MIS-D 100/75, C compliant), designed to be fitted on an ADEMCO energy supply bridge (supply without screen).

Energy Supply Bridges Accessories



Article-No. 20.50.0030

Screen holder, with flat panel monitor owner (attaches to LCD's that are VESA® MIS-D 100/75, C compliant), designed to be fitted on an ADEMCO energy supply bridge.



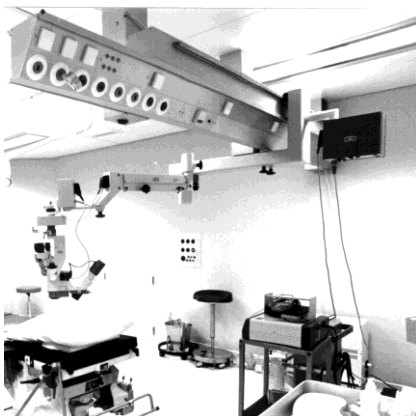
Article-No. 20.50.0031

Adjustable bridge with ball-bearing runners, precision carrying arm, hard chrome plated, Ø 32 mm (length up to 1.60 m as required), with flat panel monitor owner (attaches to LCD's that are VESA® MIS-D 100/75, C compliant), designed to be fitted on an ADEMCO energy supply bridge.



Article-No. only on request

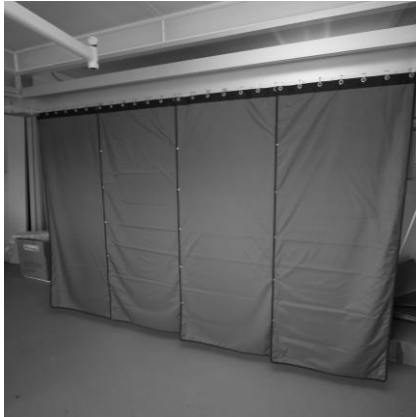
Wall bearing, adjustably running in ball bearings, with extern. arm and spring arm, with monitor mounting plate for the admission of a TFT screen. Max. discharge 1.70 m. For the assembly at ADMECO energy supply bridge. Max. stress and size of the TFT screen on request (supply without screen).



Article-No. only on request

Microscope carrying arm, precision construction with special rail (approx. 2 m) and sliding carrier. Steel extension arm for microscope. Specially produced. Information on previous products on request.

Energy Supply Bridges Accessories



Article-No. **only on request**

X-ray curtain with 0.50 mm lead (Pb), with eyes, consisting of 4 parts (overlapping curtains with pushbuttons) to hanging up at a three piece stainless steel rail with hooks attached at the T-rail 25/10. Height approx. 1880 mm, width depending upon project, in different colours available.



Article-No. **only on request**

Heavy-duty rust-proof extension arm, max. working radius 800 mm (load of 25 kg) with set collar for fitting on a precision carrying arm \varnothing 32 mm. Designed to take load carrying trays or special monitor holders or additional precision carrying arms \varnothing 32 mm.



Article-No. **20.50.0041**

Infusion bottle holder Type 4 incl. 4 hooks with quick-change fitting for profile rails 25/10 or 35/8. Height adjustable. Allows easy and quick placing of infusion bags, etc. Max. load 10 kg.

Energy Supply Bridges Accessories



Article-No. 20.50.0026

Trolley to curving bar to energy supply MVB 45/65°, with 2 hard chrome plated, Ø 32 mm (length up to 1.60 m as required), with load carrying tray 500x450 mm, without drawer. Designed to be mounted rigidly on an ADEMCO energy supply bridge. Carrying arm max. load: 80 kg. (Heavier loads possible on demand).

Article-No. 20.50.0038

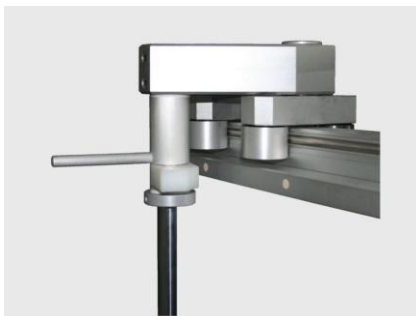
Curving bar "top rail" Type O.

Article-No. 20.50.0039

Curving bar "top rail" Type U.

Article-No. 20.50.0040

Curving bar "top rail" Type L.



Article-No. 20.50.0027

Trolley to curving bar to energy supply MVB 45/65°, with 1 hard chrome plated, Ø 32 mm (length up to 1.60 m as required), without load carrying tray and without drawer. Designed to be mounted rigidly on an ADEMCO energy supply bridge. Carrying arm max. load: 40 kg. (Heavier loads possible on demand).

All products subject to technical modifications